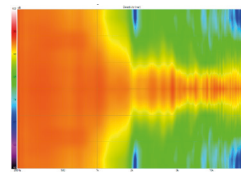
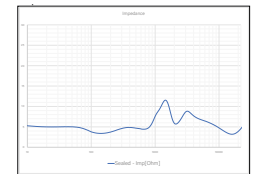


Horizontal Directivity



Vertical Directivity



Impedance

MODEL S7i-C



TECHNICAL SPECIFICATIONS



Based largely on our flagship S7t. This is the center channel implementation. Here we have adapted the design for inwall applications. Shallow 4" mounting depth and integral aluminum extrusion rear enclosure insure consistent performance and minimal sound propagation to adjacent rooms. Featuring our proprietary DPC-Array controlling Mid/High frequencies, centered by our finest 28mm Beryllium dome and dual 28mm TPCD ultra-lightweight domes. All transducers are developed ground up by our engineers – bringing decades of research, culminating in this world class design. We teamed up with companies in the USA and Sweden to bring modern material science to hi-fi. Utilizing advanced Comsol acoustical modeling, our DPC-array is the result of 18 months of painstaking simulations and prototyping. The result is one of the most technologically advanced loudspeakers available. This new tweeter/waveguide DPC-Array delivers amazing accuracy, smoothness, and directivity control to handle the critical vocal range and delicate treble. All S-Series speakers share the same DPC-Array and benefit from our unique timbre matching technique across the entire series. The PerListen S7i is the world's first and only inwall loudspeaker to be certified for THX Dominus - their highest rating. A mark of achievement.

BASIC

Dimensions (HxWxD)

298.6 x 1036.6 x 111.2mm
11.8 x 40.8 x 4.4"

Mounting dimensions (HxWxD)

257 x 996 x 101.7mm
10.1 x 39.2 x 4.0"

Weight

26.4 kg (58.0 lbs.)

Available finishes

White grille, Black baffle

TECHNICAL

Enclosure Alignment

4-way acoustic suspension

Driver complement

DPC-Array: 28mm Beryllium
28mm(2) Textreme TPCD
Woofers: 180mm(4) Textreme TPCD

Sensitivity

92.0dB / 2.83v / 1.0m

Impedance

4Ω nominal / 3.4Ω min

Response Linearity

80 - 20kHz +/-1.5dB window

Frequency Response (-10dB)

47 - 37kHz

Typical In Room bass extension

39Hz

Recommended Amplifier Power

100 - 600W RMS

SPL capability @1m (100-20kHz)

119.8dB peak
117.0dB peak <3% 2nd, 3rd Harmonics

Certification

THX Dominus

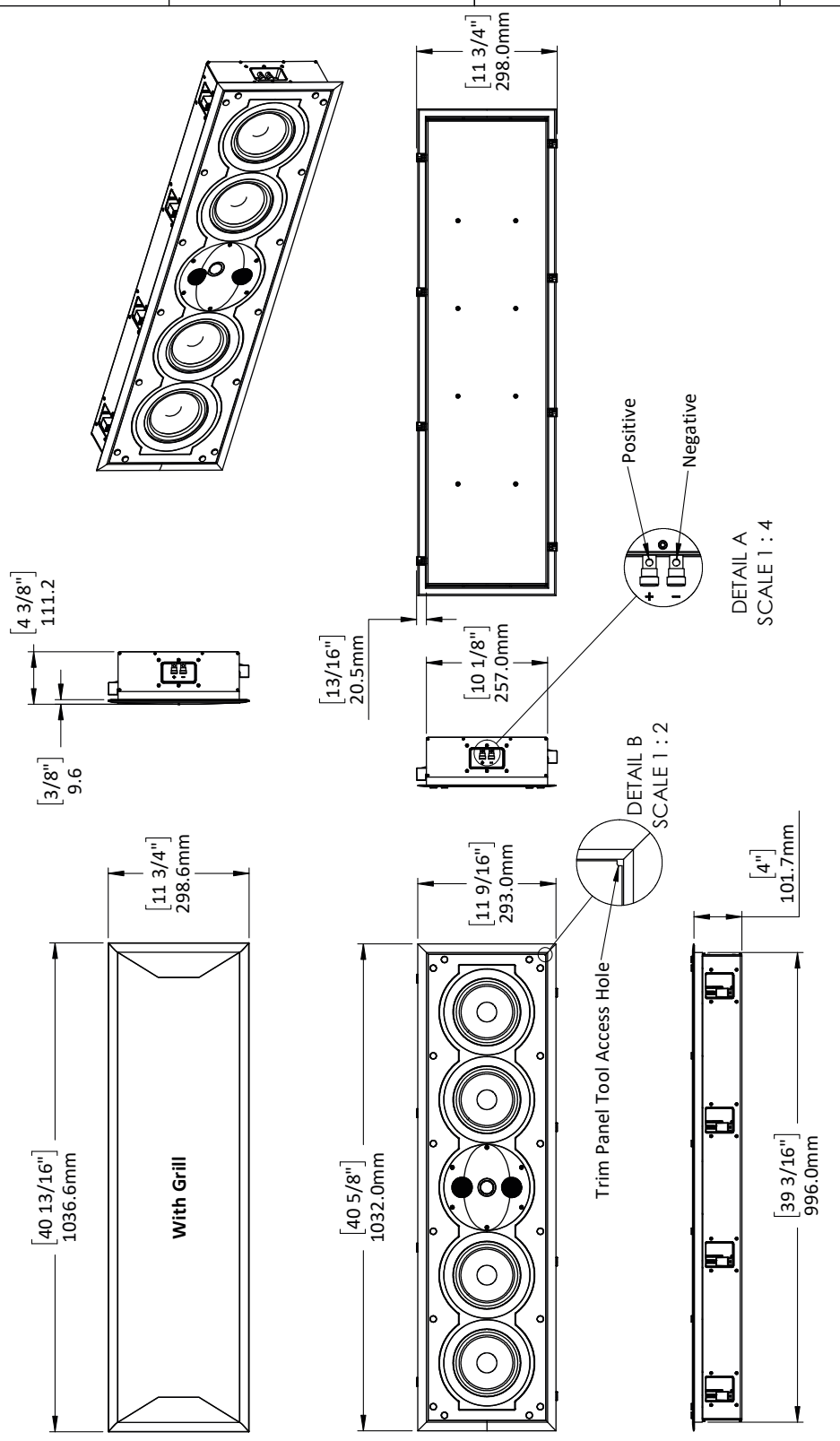


DPC-Array
Directivity pattern control
*USA Patent pending



TPCD
Thin Ply Carbon Diaphragms

REVISIONS		DATE
REV.	DESCRIPTION	
1	Initial Release	11/18/2021



NAME	DATE	TITLE
		Sheet 1

SIZE	DWG. NO.	REV
A	S71-C_Architectural	1

SCALE: 1:12 SHEET 1 OF 1

Specifications	
Minimum Dog Leg Mounting Thickness	0.437" (11.0mm)
Maximum Dog Leg Mounting Thickness	1.750" (44.4mm)
Product Dimensions (Rear)	10.125" (257.0mm) X 39.212" (996.0mm)
Cuf-out Dimensions	10.236" (260.0mm) X 39.330" (999.0mm)