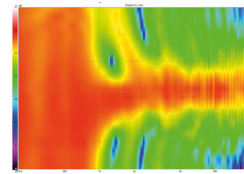
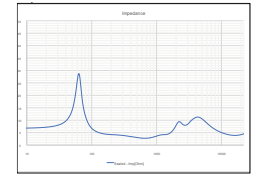


Horizontal Directivity



Vertical Directivity



Impedance

MODEL S4i-LCRS



TECHNICAL SPECIFICATIONS



Based on the S4s and S4b speakers, the S4i has been designed to work as LCR or Surround. With the design for inwall applications. Shallow 4" mounting depth and integral aluminum extrusion rear enclosure insure consistent performance and minimal sound propagation to adjacent rooms. Featuring our proprietary DPC-Array controlling Mid/High frequencies, centered by our finest 28mm Beryllium dome and dual 28mm TPCD ultra-lightweight domes. All transducers are developed ground up by our engineers – bringing decades of research, culminating in this world class design. We teamed up with companies in the USA and Sweden to bring modern material science to hi-fi. Utilizing advanced Comsol acoustical modeling, our DPC-array is the result of 18 months of painstaking simulations and prototyping. The result is one of the most technologically advanced loudspeakers available. This new tweeter/waveguide DPC-Array delivers amazing accuracy, smoothness, and directivity control to handle the critical vocal range and delicate treble. All S-Series speakers share the same DPC-Array and benefit from our unique timbre matching technique across the entire series. Another Perlisten inwall loudspeaker to be certified for THX Dominus

BASIC

Dimensions (HxWxD)
479 x 298 x 111mm
18.9 x 11.8 x 4.4"

Mounting dimensions (HxWxD)
438 x 257 x 101.7mm
17.2 x 10.1 x 4.0"

Weight
11.2 kg (24.6 lbs.)

Available finishes
White grille, Black baffle

TECHNICAL

Enclosure Alignment
3-way acoustic suspension

Driver complement
DPC-Array: 28mm Beryllium
28mm(2) Textreme TPCD
Woofers: 180mm(1) Textreme TPCD

Sensitivity
88.0dB / 2.83v / 1.0m

Impedance
4Ω nominal / 3.1Ω min

Response Linearity
80 - 20kHz +/-1.5dB window

Frequency Response (-10dB)
42 - 37kHz

Typical In Room bass extension
38Hz

Recommended Amplifier Power
50 - 250W RMS

SPL capability @1m (100-20kHz)
112.0dB peak
111.0dB peak <3% 2nd, 3rd Harmonics

Certification
THX Dominus Surround, Ultra LCR

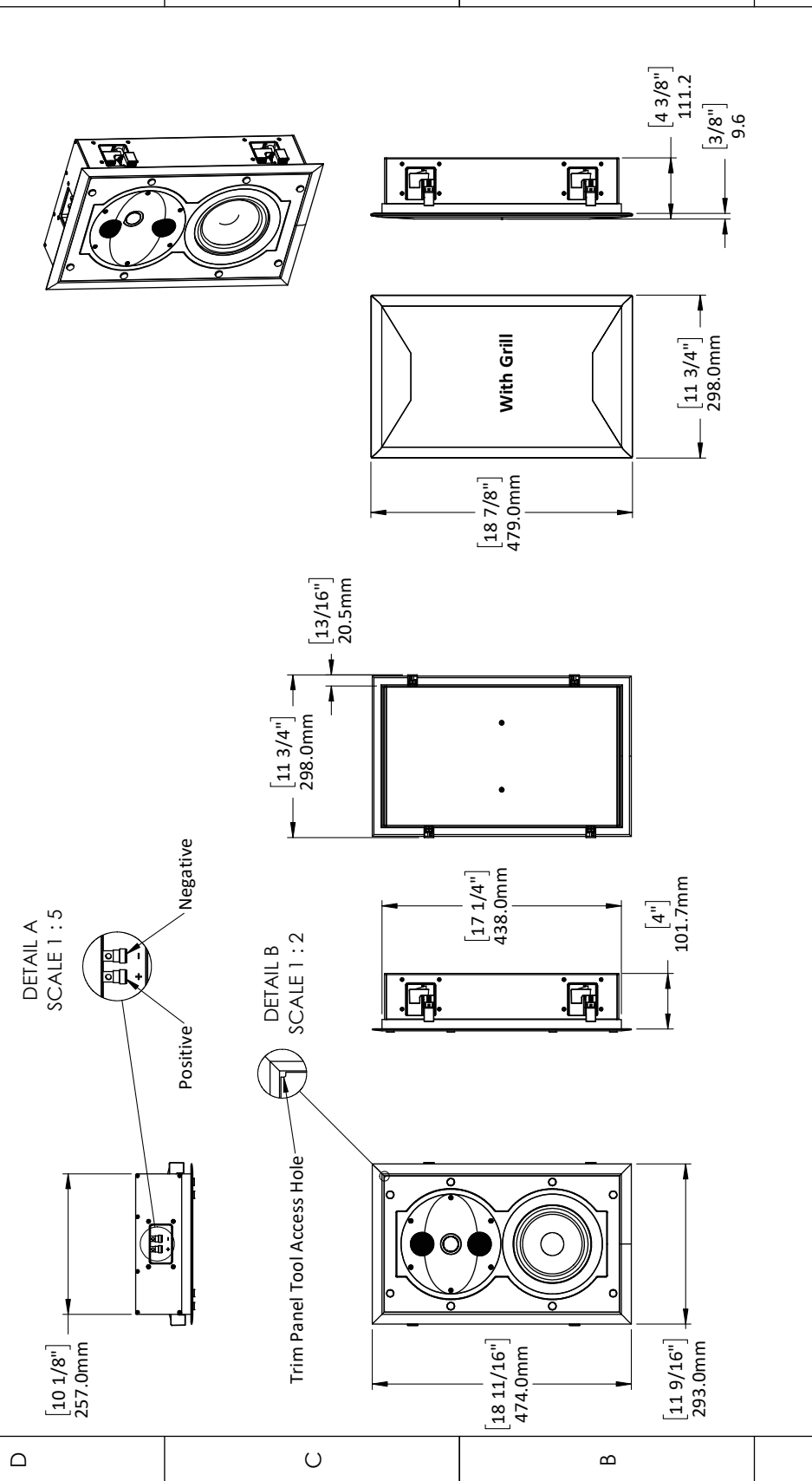


DPC-Array
Directivity pattern control
*USA Patent pending



TPCD
Thin Ply Carbon Diaphragms

REVISIONS		DATE
REV.	DESCRIPTION	
1	Initial Release	11/26/2021



Specifications

Minimum Dog Leg Mounting Thickness	0.437" (11.0mm)
Maximum Dog Leg Mounting Thickness	1.750" (44.4mm)
Product Dimensions (Rear)	10.125" (257.0mm) X 17.244" (438.0mm)
Cut-out Dimensions	10.236" (260.0mm) X 17.362" (441.0mm)

NAME	DATE

PERLISTEN
PERLISTEN AUDIO, LLC

TITLE:
Sheet 1

SIZE DWG. NO.
A S4i_Architectural

REV
1

SCALE: 1:10

SHEET 1 OF 1