

MODEL S4b



TECHNICAL SPECIFICATIONS



Great for use in 2.1 systems or any channel of theater system utilizing subwoofers. Can be used as surround, height or LCR. Bookshelf, stand or on-wall mounting with keyhole or available bracket. Featuring our DPC-Array as for controlling Mid/High frequencies, centered by our finest 28mm Beryllium dome and dual 28mm TPCD ultra-lightweight domes. This new tweeter/waveguide DPC-Array delivers amazing accuracy, smoothness, and directivity control to handle the critical vocal range and delicate treble. The S4b shares the same DPC-Array and benefits from our unique timbre matching technique as found in the entire S-Series range of speakers. Unparalleled dynamic range, low distortion and musical finesse. The Perlisten S4b continues the lineup of speakers that have the distinguished honor to be the world's first and only loudspeakers to be certified for THX Dominus - their highest rating.

BASIC

Dimensions (HxWxD)
420 x 240 x 300mm
16.5 x 9.5 x 11.8"

Weight
11.0 kg (24.2 lbs.)

Available finishes
Piano Gloss Black, White
Special Edition Veneers

TECHNICAL

Enclosure Alignment
3-way acoustic suspension

Driver complement
DPC-Array: 28mm Beryllium
28mm(2) Textreme TPCD
Woofers: 180mm Textreme TPCD

Sensitivity
85.4dB / 2.83v / 1.0m

Impedance
4Ω nominal / 3.2Ω min

Response Linearity
100 - 20kHz +/-1.5dB window

Frequency Response (-10dB)
36 - 37kHz

Typical In Room bass extension
30Hz

Recommended Amplifier Power
50 - 300W RMS

SPL capability @1m (100-20kHz)
110.2dB peak
109.0dB peak <3% - 2nd, 3rd Harmonics

Certification
THX Dominus, THX Ultra



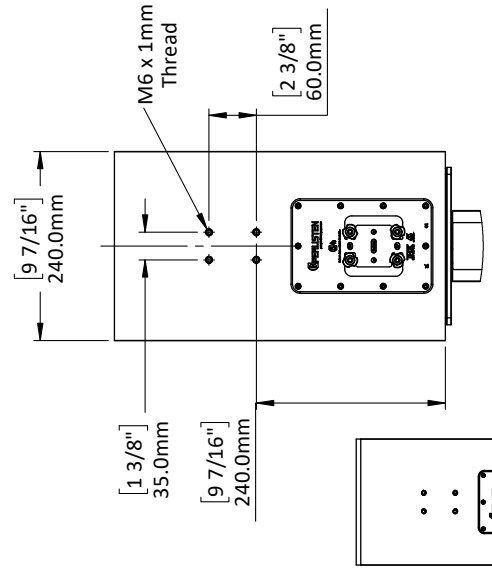
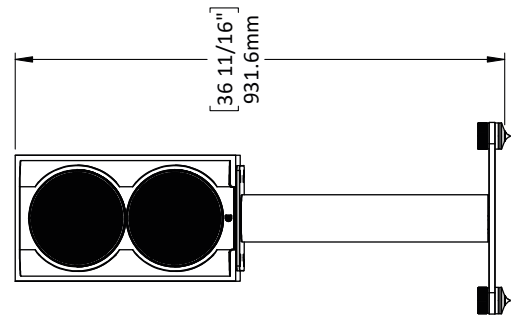
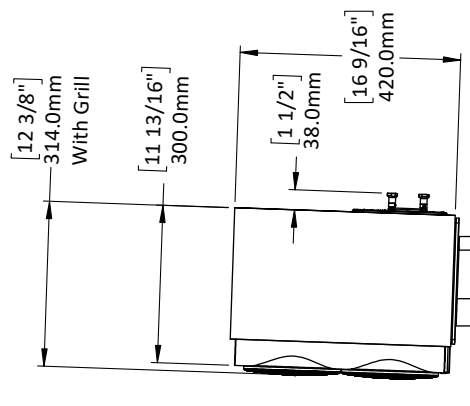
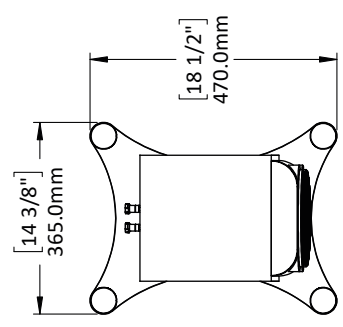
DPC-Array
Directivity pattern control
*USA Patent pending



TPCD
Thin Ply Carbon Diaphragms

4 3 2 1

REVISIONS		DATE
REV.	DESCRIPTION	
1	Initial Release	8/8/2021



Detail A

NAME	DATE	
TITLE:		PERLISTEN <small>PERLISTEN AUDIO, LLC</small>
Sheet 1		
SIZE	DWG. NO.	REV
A	PERLISTEN-S4b_Architectural	1
SCALE: 1:12		SHEET 1 OF 1

PROPRIETARY AND CONFIDENTIAL
 THE INFORMATION CONTAINED IN THIS DRAWING IS THE SOLE PROPERTY OF PERLISTEN AUDIO, LLC. ANY REPRODUCTION OR TRANSMISSION OF THIS DRAWING WITHOUT THE WRITTEN PERMISSION OF PERLISTEN AUDIO, LLC IS PROHIBITED.
DRAWINGS ARE IN MILLIMETERS UNLESS OTHERWISE SPECIFIED

D C B A

1 2 1