

INTELLIGENT COVERAGE ANGLE
Next generation Directivity Pattern Control

Reference axis at 30degrees with a broader listening window of +/-30V and +/-55H degrees allows ideal coverage for most listening spaces

MODEL S3ic IN-CEILING



TECHNICAL SPECIFICATIONS



The perfect solution for high end Dolby Atmos, DTS:X, and Auro-3D applications. Featuring an innovative new waveguide array controlling Mid/High frequencies, centered by our finest 28mm Beryllium dome tweeter and 28mm TPCD ultra-lightweight dome mid. Optimized for in-ceiling applications where a 30 degree reference axis is desired as well as larger a listening window in the direction towards the listening space. Extremely versatile - Can be used as L,C,R, surround, height, or wide channel speaker. Once again, All transducers are developed ground up by our engineers sharing largely from with S-Series, formed from decades of research, culminating in this world class design. Utilizing advanced Comsol acoustical modeling, the result is one of the most technologically advanced in-ceiling loudspeakers available. This new tweeter/waveguide DPC-Array delivers amazing accuracy, smoothness, and directivity control to handle the critical vocal range and delicate treble. The S3ic also benefits from our unique and proprietary timbre matching technique across the entire S-Series.

Enclosure Alignment
3-way acoustic suspension

Driver compliment

DPC Array
28mm Beryllium tweeter
28mm Textreme TPCD mid

Woofers
165mm Alum frame, Textreme TPCD

Sensitivity
89.7dB / 2.83v / 1.0m

Impedance
4 Ω nominal / 3.2 Ω min

Coverage Window (from 30deg Ref)
Horizontal: +/-55 deg
Vertical: +/-30 deg

Response Linearity
100 - 20kHz +/-1.5dB window

Frequency Response
57 - 30kHz (-6dB)
43 - 33kHz (-10dB)

Typical In Room bass extension
48Hz (-6dB)
31Hz (-10dB)

Overall Dimensions (with grille)
343.3 diam x 194.8mm depth
13.5" diam x 7.7" depth

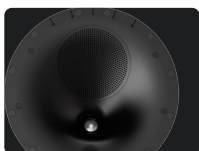
Recommended cutout
305mm diameter
12" diameter

Weight
20.4lbs. (9.4kg)
11.8lbs. (5.4kg) without enclosure

Recommended Amplifier Power
50 - 250W (with 80Hz HPF)
50 - 150W (full range)

SPL capability @1m (100-20kHz)
113.7dB peak
111.0dB peak <3% 2nd, 3rd Harmonics

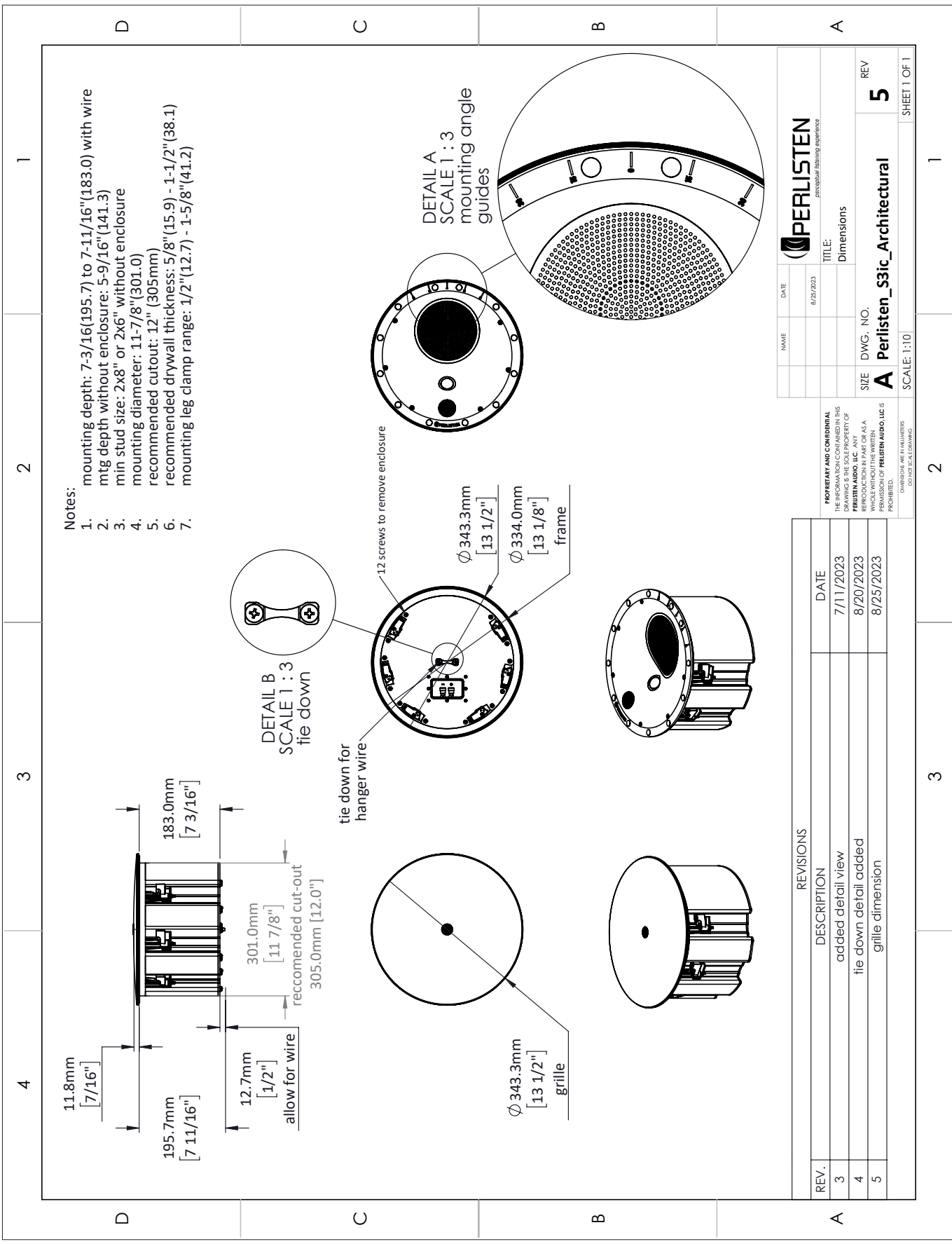
Certification
THX Dominus, THX Ultra



Newly developed waveguide array
* Patent Pending



TPCD - Thin Ply Carbon Diaphragms



Notes:

1. mounting depth: 7-3/16 (195.7) to 7-11/16" (183.0) with wire
2. mtg depth without enclosure: 5-9/16" (141.3)
3. min stud size: 2x8" or 2x6" without enclosure
4. mounting diameter: 11-7/8" (301.0)
5. recommended drywall thickness: 5/8" (15.9) - 1-1/2" (38.1)
6. recommended drywall thickness: 5/8" (15.9) - 1-1/2" (38.1)
7. mounting leg clamp range: 1/2" (12.7) - 1-5/8" (41.2)

REV.	DESCRIPTION	DATE
3	added detail view	7/11/2023
4	tie down detail added	8/20/2023
5	grille dimension	8/25/2023

NAME	DATE
	8/25/2023
TITLE: Dimensions	
SIZE	DWG. NO.
A	Perlisten_S3ic_Architectural
REV	SCALE: 1:10
5	SHEET 1 OF 1

PROPRIETARY AND CONFIDENTIAL
 THE INFORMATION CONTAINED IN THIS DRAWING IS THE SOLE PROPERTY OF PERLISTEN AUDIO, LLC. ANY REPRODUCTION IN PART OR AS A WHOLE WITHOUT THE WRITTEN PERMISSION OF PERLISTEN AUDIO, LLC IS PROHIBITED.
 © 2023 PERLISTEN AUDIO, LLC
 DO NOT SCALE DRAWING

REVISIONS

REV.	DESCRIPTION	DATE
3	added detail view	7/11/2023
4	tie down detail added	8/20/2023
5	grille dimension	8/25/2023