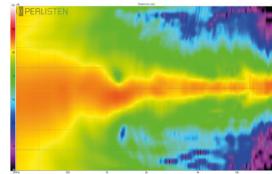
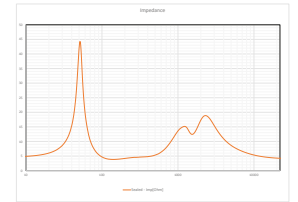


Horizontal Directivity



Vertical Directivity



Impedance

MODEL R4b



TECHNICAL SPECIFICATIONS



Designed to be mounted on optional stand, or mounted to a wall with our tilt swivel bracket. Sharing "trickle-down" technology from our flagship S-Series, the DPC-Array here based on three 26mm domes, guarantees excellent directivity control and timbre matching with all R-Series speakers. The Silk diaphragms developed ground up, chosen specifically their smooth, effortless representation of midrange and treble. The 165mm woofer is made from our proprietary HPF pulp, two years in development, bringing new technology to one of the oldest materials used in loudspeaker design. The R4b is great for mains in a smaller room or part of 2.1 systems as well as a timbre matched option as surround for larger R-Series based home cinemas.

BASIC

Dimensions (HxWxD)
382 x 230 x 236mm
15.0 x 9.0 x 9.3"

Weight
9.5 kg (20.9 lbs.)

Available finishes
High Gloss Black

TECHNICAL

Enclosure Alignment
3-way acoustic suspension

Driver complement
DPC-Array: 26mm(3) Silk dome
Woofers: 165mm HPF diaphragm

Sensitivity
84.6dB / 2.83v / 1.0m

Impedance
4Ω nominal / 3.8Ω min

Response Linearity
80 - 20kHz +/-1.5dB window

Frequency Response (-10dB)
45 - 32kHz

Typical In Room bass extension
38Hz

Recommended Amplifier Power
50 - 200W RMS

SPL capability @1m (100-20kHz)
107.6dB peak
107.0dB peak <3% - 2nd, 3rd Harmonics

Certification
THX Ultra



DPC-Array
Directivity pattern control
*USA Patent pending

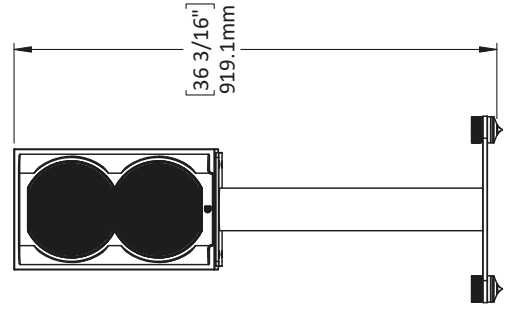
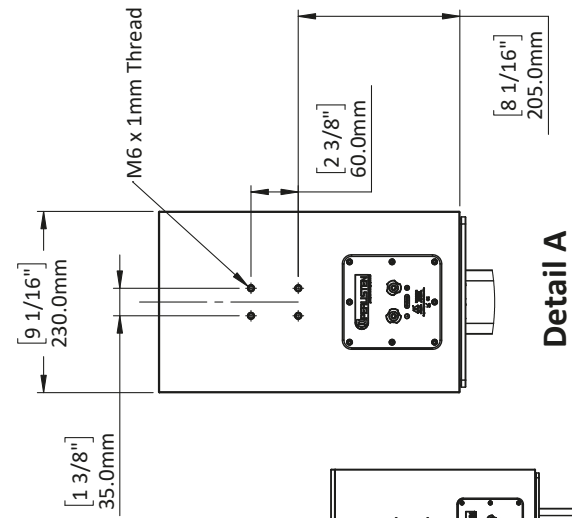
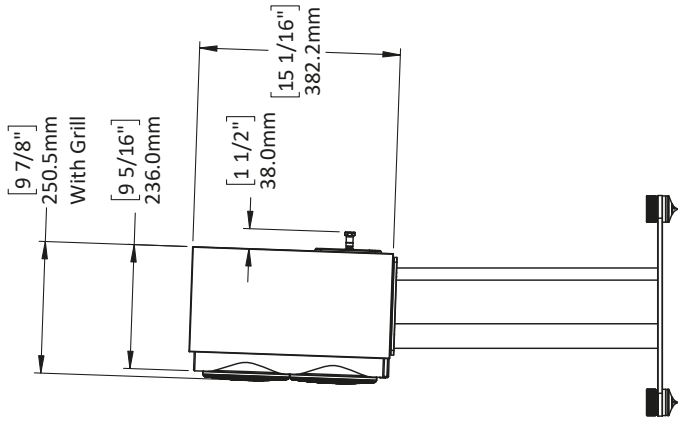
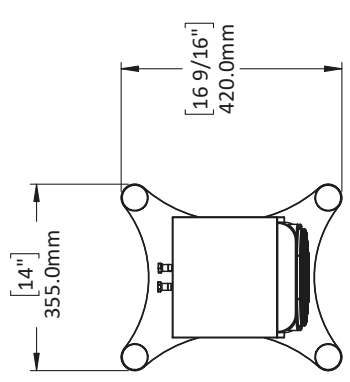


HPF (Hybrid Pulp Formulation)
Diaphragms made from mixed long fiber hardwood, bamboo and wool

4 3 2 1

D C B A

REVISIONS		DATE
REV.	DESCRIPTION	
1	INITIAL RELEASE	3/7/21
2	Changed size of stand post and cabinet mounting plate	3/14/2021
3	Added grill and terminal dimensions	4/1/2021



NAME	DATE	
TITLE:		PERLISTEN <small>PERLISTEN AUDIO, LLC</small>
Sheet1		
SIZE	DWG. NO.	REV
A	PERLISTEN-R4b_Architectural	3
SCALE: 1:12		SHEET 1 OF 1

PROPRIETARY AND CONFIDENTIAL
 THE INFORMATION CONTAINED IN THIS DRAWING IS THE SOLE PROPERTY OF PERLISTEN AUDIO, LLC. ANY REPRODUCTION OR TRANSMISSION OF THIS DRAWING WITHOUT THE WRITTEN PERMISSION OF PERLISTEN AUDIO, LLC IS PROHIBITED.
DRAWINGS ARE IN MILLIMETERS UNLESS OTHERWISE SPECIFIED

2 1